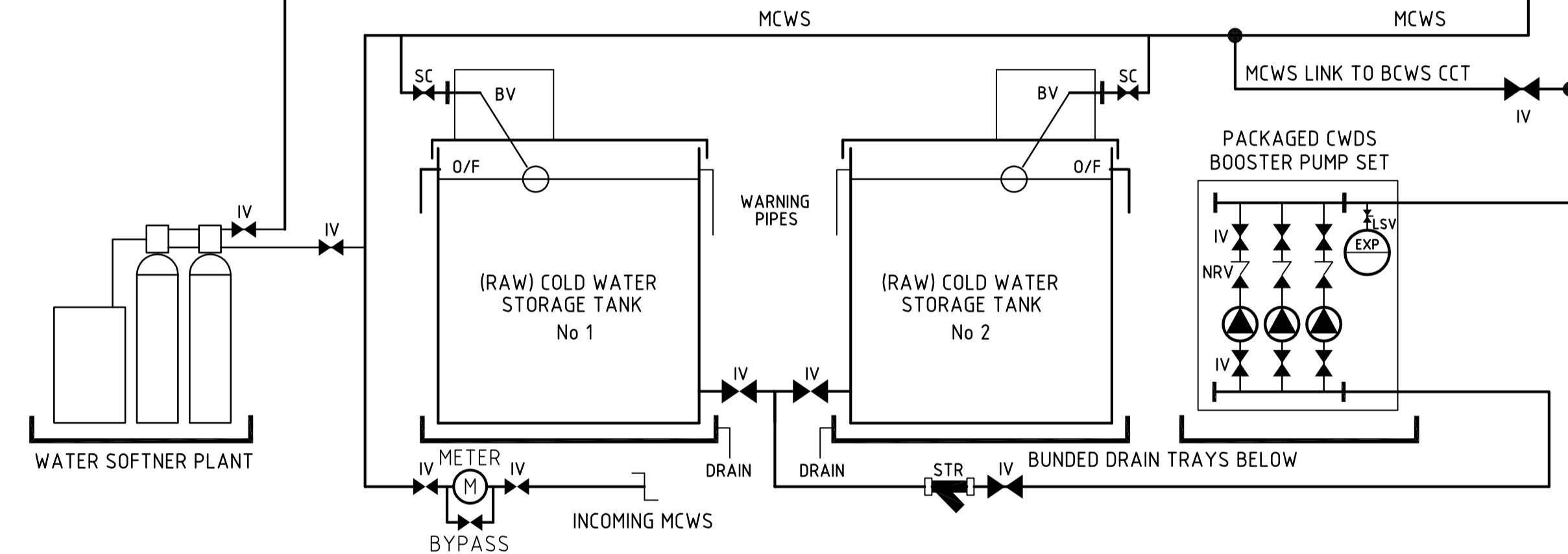
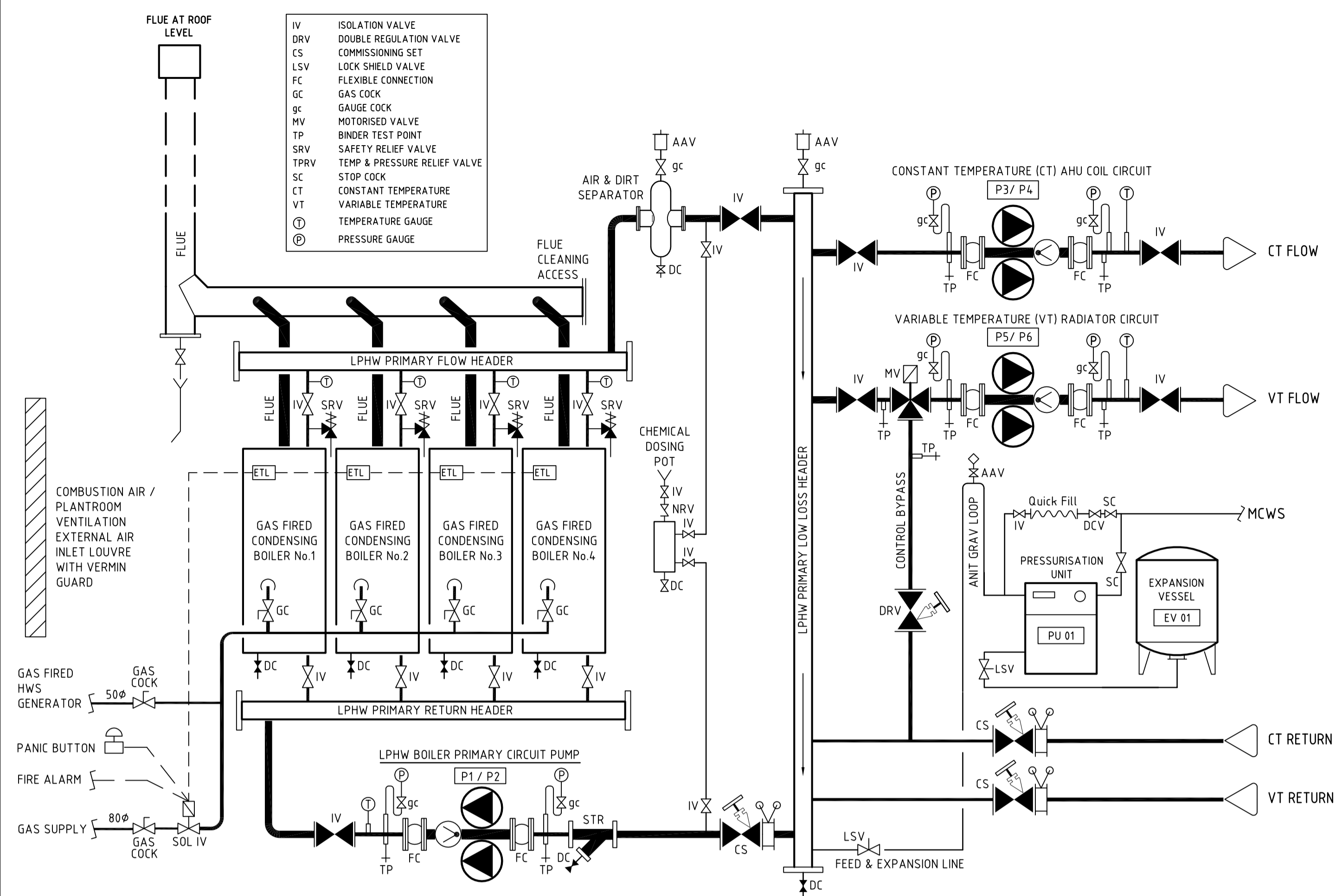


GENERAL NOTE
 THE CONTRACTOR SHALL ARRANGE THE PIPEWORK & VALVE SYSTEM TO ENABLE ANY ONE STORAGE TANK AND ANY ONE HWS GENERATOR TO BE TAKEN OUT OF SERVICE FOR MAINTENANCE - & A FULL CWS & HWS SERVICE SHALL BE MAINTAINED

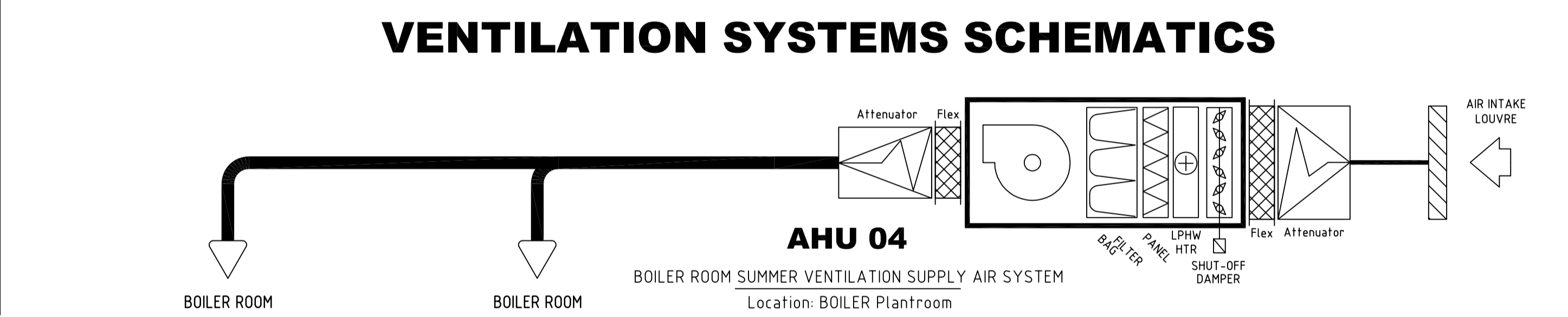
ALSO IN THE EVENT OF BOOSTER PUMP FAILURE OR ELECTRICAL POWER OUTAGE, IT SHALL BE ARRANGED FOR THE MCWS TO FEED THE BCWS CIRCUIT - OR THE BCWS TO SERVE THE MCWS CIRCUIT - TO MAINTAIN SUPPLIES, BY A COMMON MANUAL CONTROL VALVE ARRANGEMENT



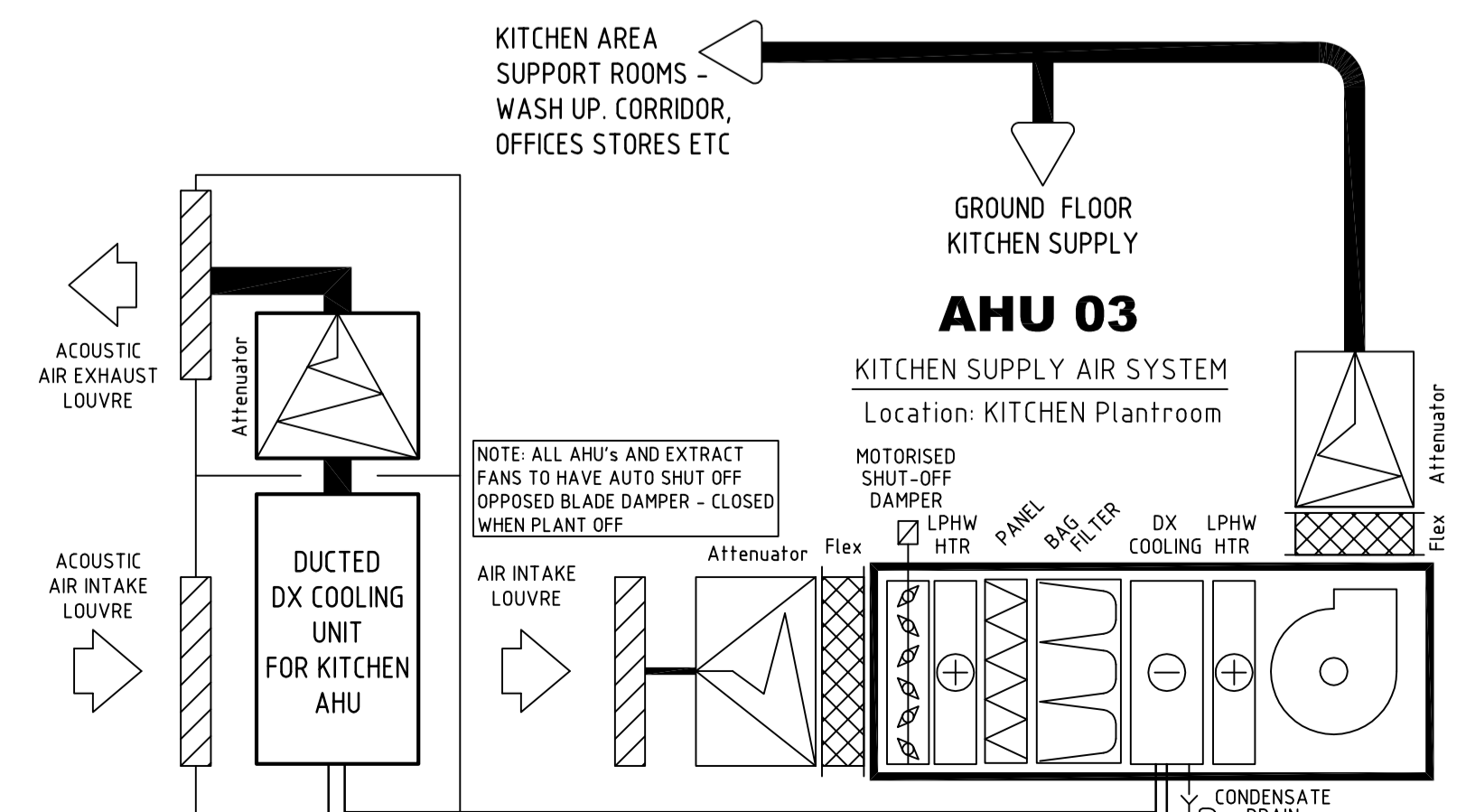
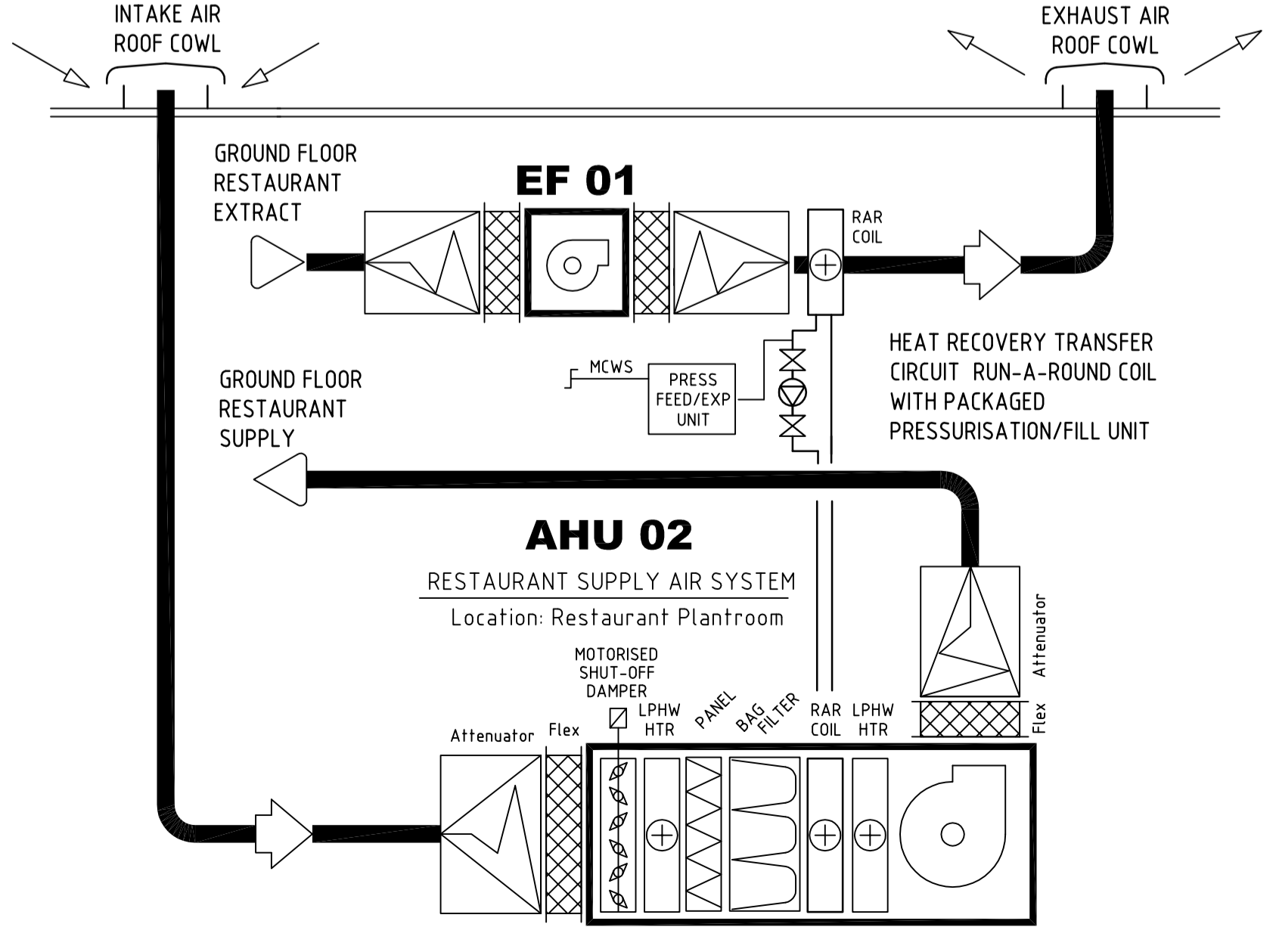
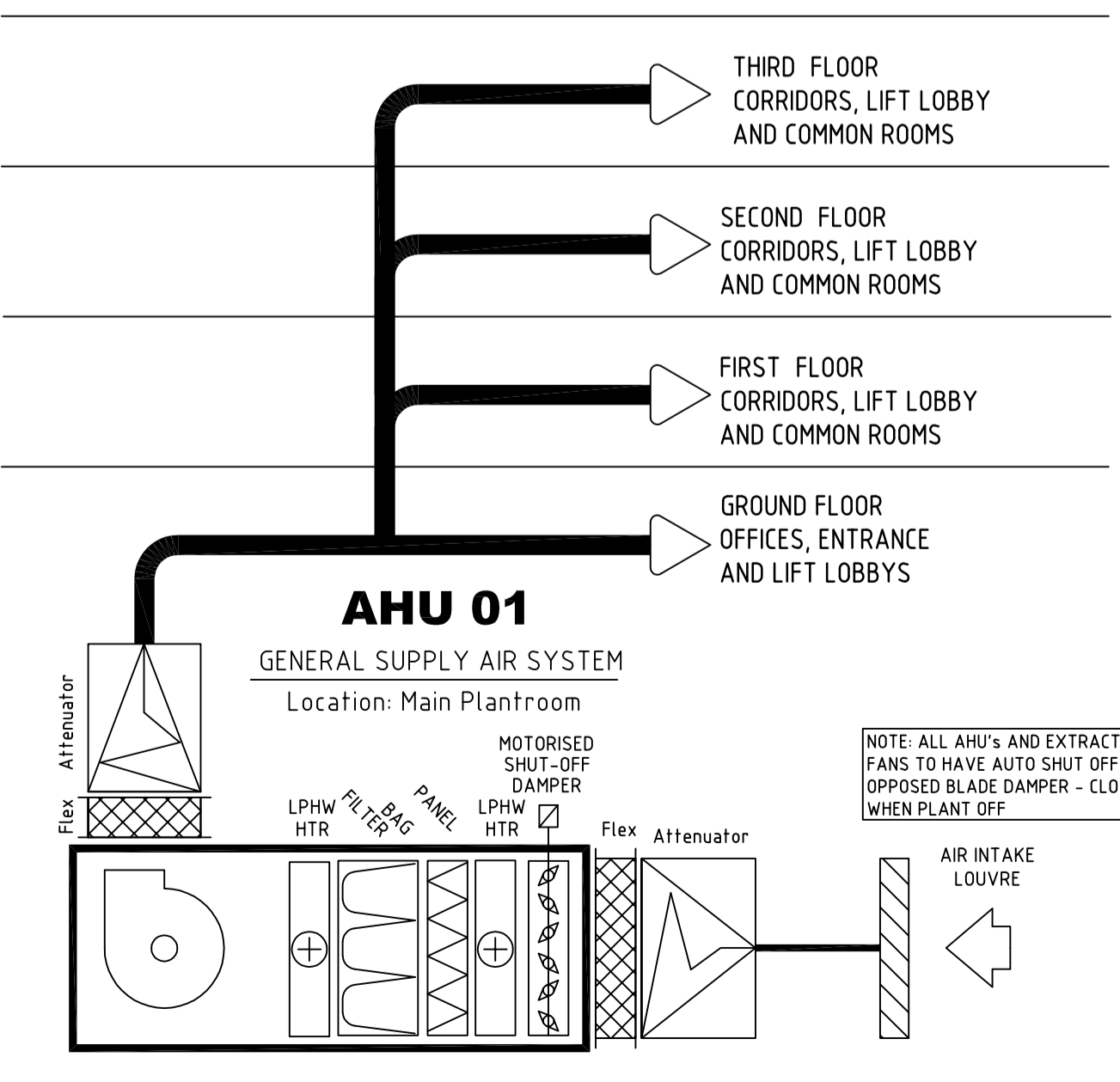
WATER SERVICES SYSTEM SCHEMATICS



HEATING SYSTEM SCHEMATIC



VENTILATION SYSTEMS SCHEMATICS



Drawings List

ES 01	TYPICAL BEDROOM. MECHANICAL SERVICES
ES 01	TYPICAL BEDROOM. ELECTRICAL SERVICES
ES 01	SITE PLAN. INCOMING SERVICES EXT LIGHTING
ES 01	KITCHEN SERVICES
M 01	GF HVAC SERVICES
M 02	FF HVAC SERVICES
M 03	SF HVAC SERVICES
M 04	TF HVAC SERVICES
M 05	GF / FF WATER SERVICES & DRAINAGE
M 06	SF / TF WATER SERVICES & DRAINAGE
M 07	ROOF PLAN PLANT LAYOUT
M 08	AIR CONDITIONING SCHEMATIC
M 09	HEATING & VENTILATION SCHEMATIC
E 01	GF LIGHTING & FIRE ALARM
E 02	FF LIGHTING & FIRE ALARM
E 03	SF LIGHTING & FIRE ALARM
E 04	TF LIGHTING & FIRE ALARM
E 05	GF / FF POWER & ANCILLIARY
E 06	SF / TF POWER & ANCILLIARY
E 07	ROOF PLAN LIGHTING, POWER & LIGHTNING PROTECTION

C	CONTRACT ISSUE	-
T	TENDER ISSUE	-
Rev	Description	Date

client
 THE ROYAL BRITISH LEGION

architect
 ARMSTRONG BURTON ARCHITECTS

project
 ROYAL BRITISH LEGION
 WESTON-SUPER-MARE

MK Consulting Engineers Ltd
 Building Services Engineering Design & Draughting
 Tel 07702 364 607 E Mail mkcad99@aol.com

Drawing Title
 MECHANICAL SERVICES
 MECHANICAL SERVICES SCHEMATIC

Scale	NTS	Drawn	AK
Date	-	Checked	AK

Drawing Number
 MK/698/SAMPLE

Revision
 C

Drawing Status
 CONTRACT ISSUE